

Made entirely of PTFE, PFA, and PCTFE, the *Model F* flow meter is excellent for high-purity applications or use with corrosive liquids.

Units are available with a standard valve to monitor and control flow or without a valve to just monitor flow.

Flow meters are individually tested on a Mass Spectrometer Leak Detector and certified to a leak integrity rating of 1×10^{-7} sccs Helium or better.

design features

- ✓ Chemically inert wetted components.
- ✓ Removable protective shield.
- ✓ Individually leak tested.

SPECIFICATIONS

SCALES	0 to 10 markings.
ACCURACY	±5% of full scale.
MAXIMUM TEMPERATURE	250 °F (121 °C).
MAXIMUM PRESSURE	100 psig (6.7 bars).
LEAK INTEGRITY	Individually, leak tested and certified to a rating of 1×10^{-7} sccs of Helium.

**MATERIALS OF CONSTRUCTION

TUBE SHIELDS	Polycarbonate.
FLOW TUBES	PFA.
FLOATS	PTFE.
WETTED PARTS	PTFE end fittings. PCTFE guide rods.



*** The selection of materials of construction, is the responsibility of the customer. The company accepts no liability.*

F

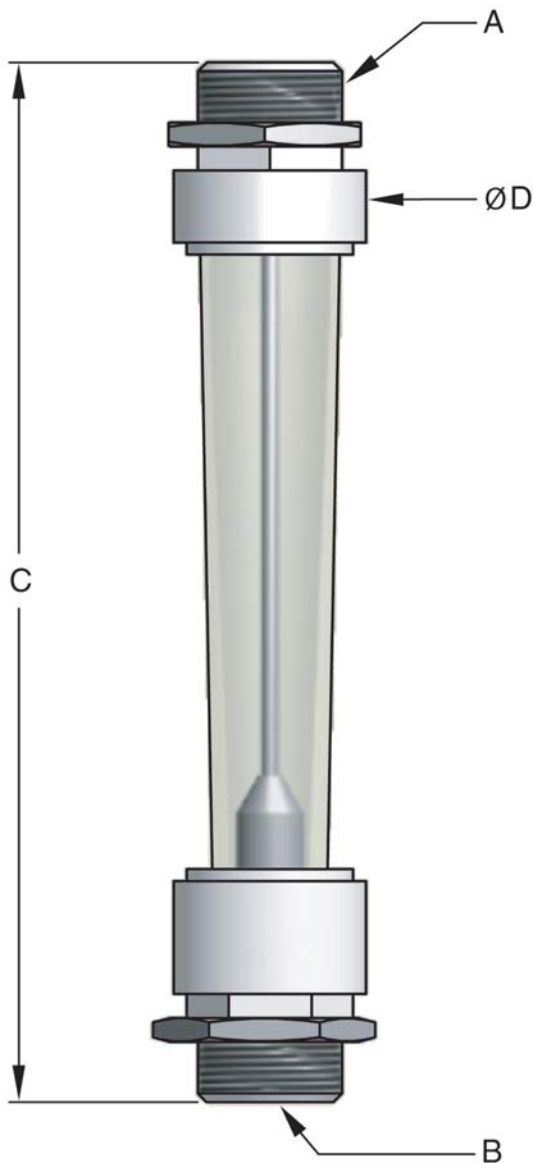
IN LINE PTFE FLOW METER

F STYLE IN LINE PTFE FLOW METER
DIMENSIONS NO VALVE OPTION

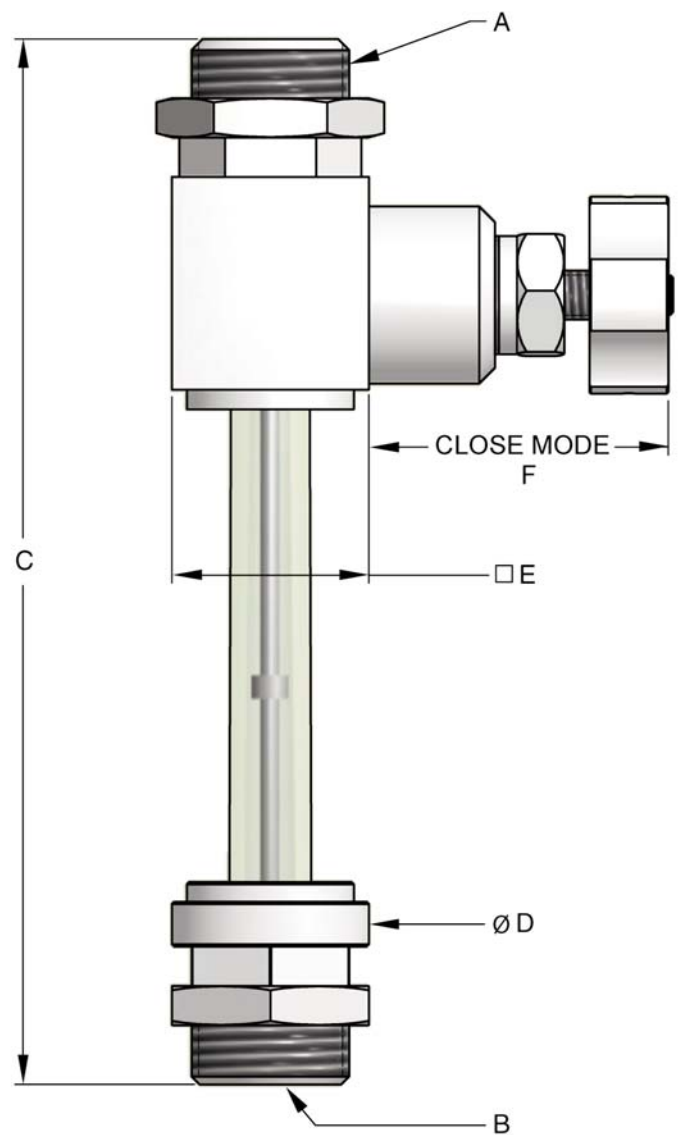
	A	B	C	D
F3C	1"-12 UNF	1/4 FNPT	5.52" (140,2 mm)	1.25" (31,8 mm)
F3D	1"-12 UNF	3/8 FNPT	5.52" (140,2 mm)	1.25" (31,8 mm)
F3E	1-1/2"-12 UNF	1/2 FNPT	10.81" (274,6 mm)	2.00" (50,8 mm)
F33	1-1/2"-12 UNF	3/4 FNPT	10.81" (274,6 mm)	2.00" (50,8 mm)

F STYLE IN LINE PTFE FLOW METER
DIMENSIONS VALVE OPTION

	A	B	C	D	E	F
F6C	1"-12 UNF	1/4 FNPT	5.52" (140,2 mm)	1.25" (31,8 mm)	1.25" (31,8 mm)	1.88" (47,8 mm)
F6D	1"-12 UNF	3/8 FNPT	5.52" (140,2 mm)	1.25" (31,8 mm)	1.25" (31,8 mm)	1.88" (47,8 mm)
F6E	1-1/2"-12 UNF	1/2 FNPT	10.81" (274,6 mm)	2.00" (50,8 mm)	2.00" (50,8 mm)	1.88" (47,8 mm)
F6F	1-1/2"-12 UNF	3/4 FNPT	10.81" (274,6 mm)	2.00" (50,8 mm)	2.00" (50,8 mm)	1.88" (47,8 mm)



In Line PTFE Flow Meter
No Valve Option



In Line PTFE Flow Meter
Valve Option



F STYLE LOW RANGE METERS

MODEL NUMBER		CONNECTION	MAXIMUM FLOW	
BUILT IN VALVE	NO VALVE		[mL/min] WATER	[gpm] WATER
F6C-F01-01-TF	F3C-F01-01-TF	1/4" FNPT	125	1.98
F6C-F02-01-TF	F3C-F02-01-TF	1/4" FNPT	125	3.96
F6C-F03-01-TF	F3C-F03-01-TF	1/4" FNPT	400	6.34
F6C-F04-01-TF	F3C-F04-01-TF	1/4" FNPT	500	7.92
F6C-F05-01-TF	F3C-F05-01-TF	1/4" FNPT	1000	15.85
F6D-F06-01-TF	F3D-F06-01-TF	3/8" FNPT	2000	31.69
F6D-F07-01-TF	F3D-F07-01-TF	3/8" FNPT	2500	39.62
F6D-F08-01-TF	F3D-F08-01-TF	3/8" FNPT	3000	47.54
F6D-F09-01-TF	F3D-F09-01-TF	3/8" FNPT	5000	79.23

F STYLE HIGH RANGE METERS

MODEL NUMBER		CONNECTION	MAXIMUM FLOW	
BUILT IN VALVE	NO VALVE		[L/min] WATER	[gpm] WATER
F6E-F10-01-TF	F3E-F10-01-TF	1/2" FNPT	13	3.43
F6E-F11-01-TF	F3E-F11-01-TF	1/2" FNPT	20	5.28
F6F-F12-01-TF	F3F-F12-01-TF	3/4" FNPT	30	7.93
F6F-F13-01-TF	F3F-F13-01-TF	3/4" FNPT	40	10.57
F6F-F14-01-TF	F3F-F14-01-TF	3/4" FNPT	45	11.89