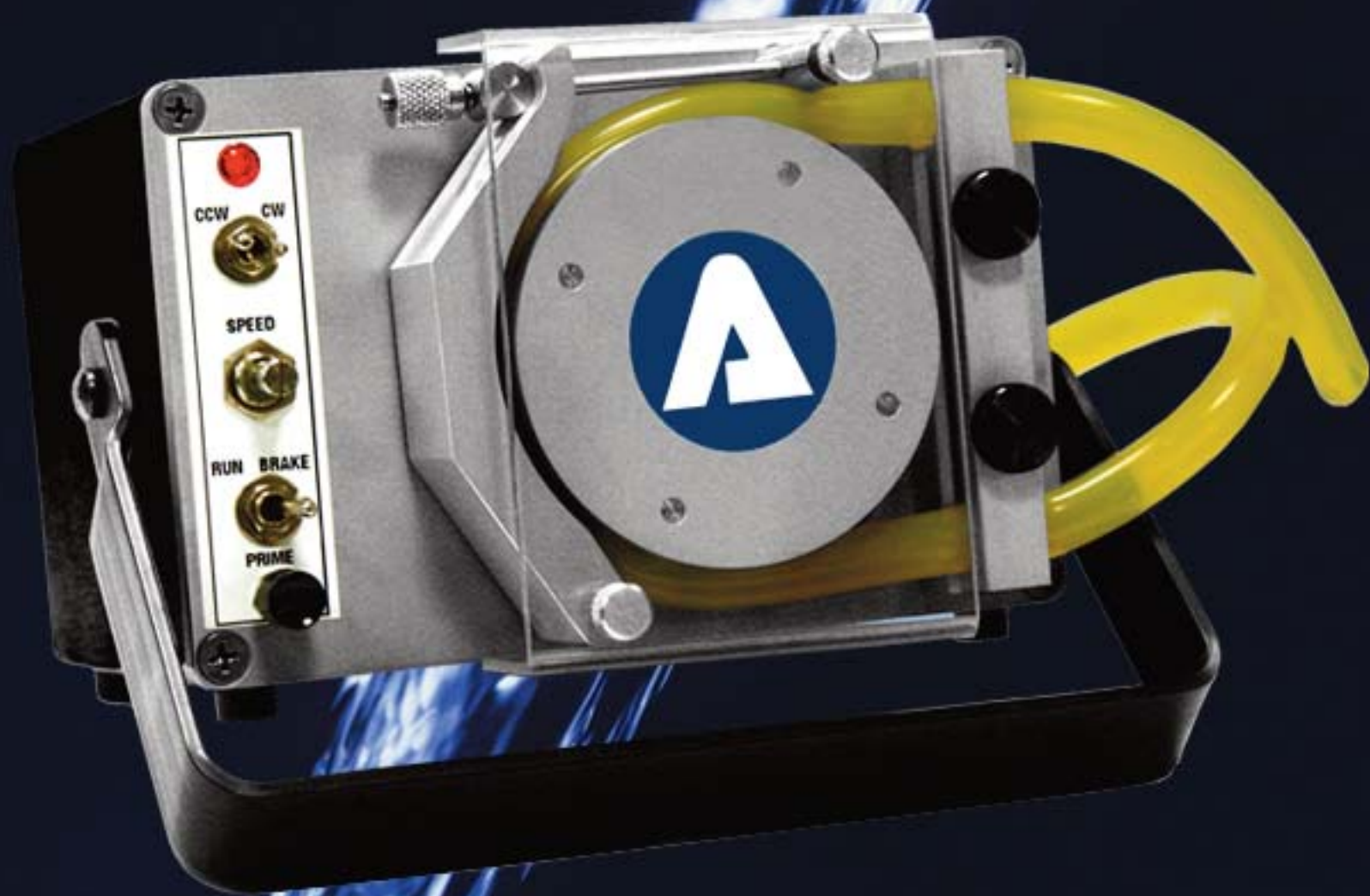


AALBORG



pumps

TUBING PUMP FIXED RPM

Peristaltic Pump
designed for liquids
of low to high viscosities.

Laboratory, processing
and OEM applications.



MAXIMUM LIFT HEAD: 900" H₂O (34 psig).
MAXIMUM SUCTION HEAD: 275" H₂O (21" Hg vacuum).

DIMENSIONS:

6 1/2" WIDE X 6 3/4" DEEP X 4 3/8" HIGH
(Excluding handle)

design features

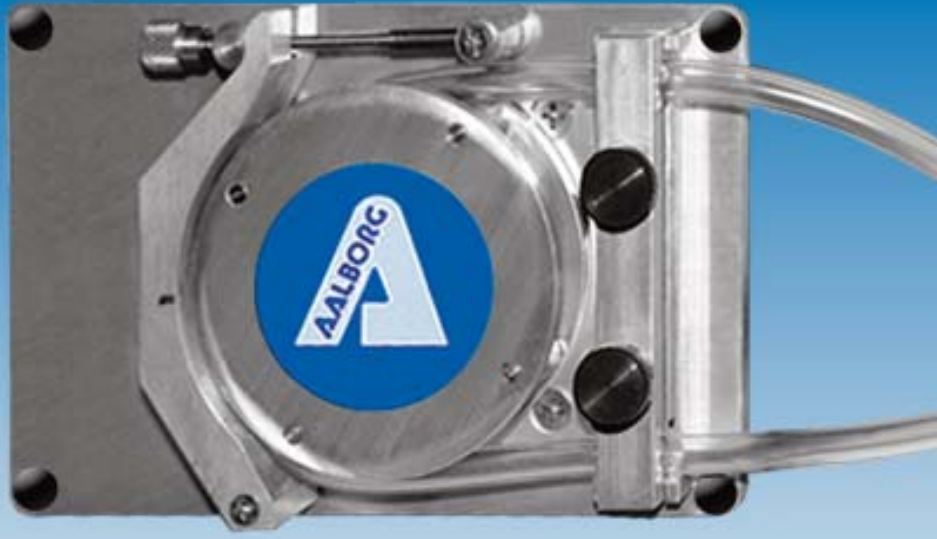
- ✓ Economical.
- ✓ Adjustable Occlusion Wall.
- ✓ Stainless Steel Rollers and Shafts.
- ✓ Compact Design, Small Foot Print.
- ✓ Can Be Mounted In Any Direction.
- ✓ Long Tubing Life.
- ✓ Four rollers. To minimize pulsing, ten rollers optional.

TYPICAL FLOW RATES WITH TYGON LAB TUBINGS [ml/min]						
INSIDE DIA"	4 ROLLERS PUMP HEAD RPM					
	3	10	20	30	40	50
1/8"	8	14	30	45	60	74
3/16"	17	38	69	99	130	160
1/4"	20	57	110	162	215	267
5/16"	32	82	160	230	303	377

MODEL NO.	DESCRIPTION
TPUFX120-03	Fixed RPM Pump 120VAC 3 RPM
TPUFX120-10	Fixed RPM Pump 120VAC 10 RPM
TPUFX120-20	Fixed RPM Pump 120VAC 20 RPM
TPUFX120-30	Fixed RPM Pump 120VAC 30 RPM
TPUFX120-40	Fixed RPM Pump 120VAC 40 RPM
TPUFX120-50	Fixed RPM Pump 120VAC 50 RPM
TPUFX240-03	Fixed RPM Pump 240VAC 3 RPM
TPUFX240-10	Fixed RPM Pump 240VAC 10 RPM
TPUFX240-20	Fixed RPM Pump 240VAC 20 RPM
TPUFX240-30	Fixed RPM Pump 240VAC 30 RPM
TPUFX240-40	Fixed RPM Pump 240VAC 40 RPM
TPUFX240-50	Fixed RPM Pump 240VAC 50 RPM

** The selection of materials of construction is the responsibility of the customer. The company accepts no liability.

PUMP HEAD



Simplicity of pump head design permits users to connect their own motor drives (optional see table below). Flow rates are determined by size and material of tubing.

PRINCIPLE OF OPERATION

Flexible tubing is squeezed by rotating rollers against a crescent shaped rigid wall. Liquid is primed into the inlet of the tubing by suction created by the rolling action and dispensing or transfer pumping of liquid commences.

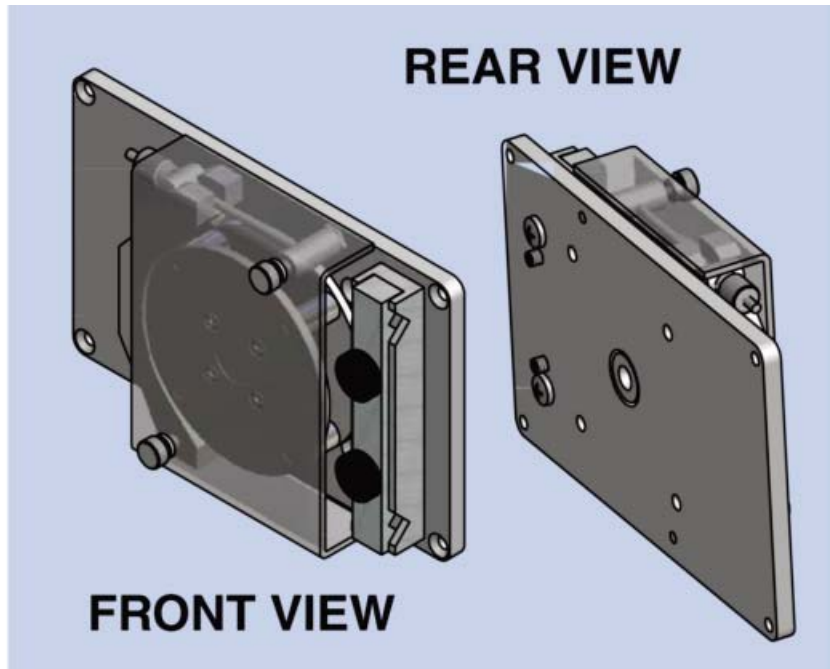
MAXIMUM LIFT HEAD: 900" H₂O (34 psig).
MAXIMUM SUCTION HEAD: 275" H₂O (21" Hg vacuum).

DIMENSIONS: See page 3

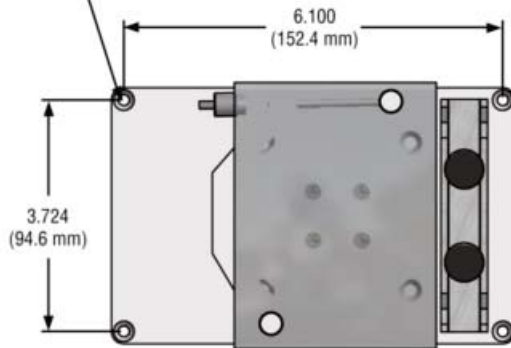
ORDERING INFORMATION FOR TUBING PUMP HEAD ACCESSORIES	
MODEL NO.	DESCRIPTION
TPU1	Pump head 4 Rollers for 1/16" wall tubing. Supplied with 18" long ¼ inside Diameter Silicone Tubing.
TPU2	Pump head 10 Rollers for 1/16" wall tubing. Supplied with 18" long ¼ inside Diameter Silicone Tubing.
MTRFX120-3	Optional Gear Motor 120 VAC, 3 RPM, fixed speed.
MTRFX240-3	Optional Gear Motor 240 VAC, 3 RPM, fixed speed.
MTRFX120-10	Optional Gear Motor 120 VAC, 10 RPM, fixed speed.
MTRFX240-10	Optional Gear Motor 240 VAC, 10 RPM, fixed speed.
MTRFX120-20	Optional Gear Motor 120 VAC, 20 RPM, fixed speed.
MTRFX240-20	Optional Gear Motor 240 VAC, 20 RPM, fixed speed.
MTRFX120-30	Optional Gear Motor 120 VAC, 30 RPM, fixed speed.
MTRFX240-30	Optional Gear Motor 240 VAC, 30 RPM, fixed speed.
MTRFX120-40	Optional Gear Motor 120 VAC, 40 RPM, fixed speed.
MTRFX240-40	Optional Gear Motor 240 VAC, 40 RPM, fixed speed.
MTRFX120-50	Optional Gear Motor 120 VAC, 50 RPM, fixed speed.
MTRFX240-50	Optional Gear Motor 240 VAC, 50 RPM, fixed speed.
MTRAD-60	Optional 12 VDC adjustable speed motor 60 RPM.
MTRAD-300	Optional 12 VDC adjustable speed motor 300 RPM.

TYPICAL FLOW RATES WITH TYGON LAB TUBINGS [ml/ min]						
INSIDE DIA"	4 ROLLERS PUMP HEAD RPM					
	3	10	20	30	40	50
1/8"	8	14	30	45	60	74
3/16"	17	38	69	99	130	160
1/4"	20	57	110	162	215	267
5/16"	32	82	160	230	303	377

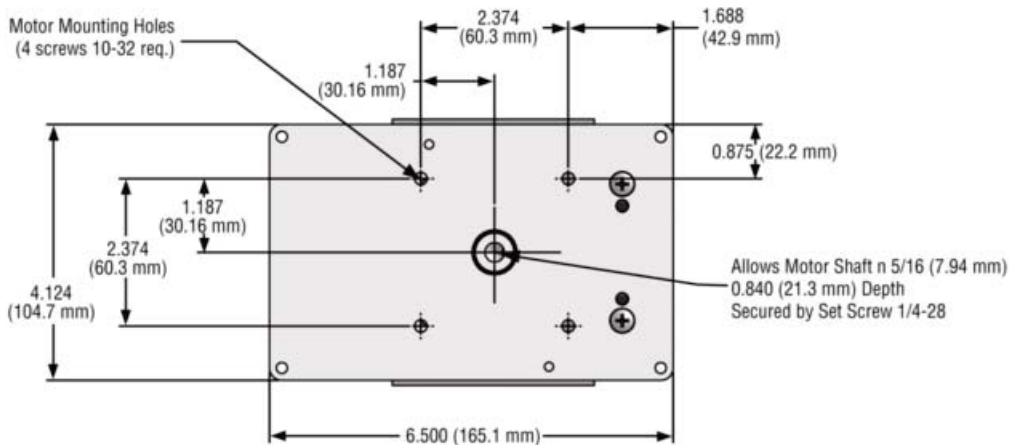
**TUBING PUMP HEAD
DIMENSIONAL DRAWING**



Front Plate Mounting Holes
(4 screws 8-32 req.)



Motor Mounting Holes
(4 screws 10-32 req.)





design features

- ✓ Economical, Compact design, Small Footprint.
- ✓ Adjustable Occlusion.
- ✓ Maintenance free brushless DC motors.
- ✓ Directionally reversible flow.
- ✓ Priming function.
- ✓ Four rollers are standard.
- ✓ Pumping speeds are electronically adjustable from 0 to 60 RPMs.

TUBING PUMPS VARIABLE SPEEDS WITH PRIME FUNCTION

SPECIFICATIONS

TUBING INSIDE DIAMETERS: 1/8", 3/16", 1/4" or 5/16".

TUBING WALL: 1/16".

RECOMMENDED TUBING MATERIALS:

PHARMED® VERSILIC® Silicone, TYGON® Sanitary, NORPRENE®, TYGON® Long Flex.

****MATERIALS OF CONSTRUCTION**

Anodized Aluminum, Stainless Steel Rollers and Shafts.

MODEL NO.	DESCRIPTION
TPUAD-NA	Adjustable Speed Pump North America
TPUAD-EU	Adjustable Speed Pump Europe
TPUAD-AU	Adjustable Speed Pump Australia
TPUAD-UK	Adjustable Speed Pump United Kingdom

MAXIMUM LIFT HEAD: 900" H₂O (34 psig).
MAXIMUM SUCTION HEAD: 275" H₂O (21" Hg vacuum).

DIMENSIONS: 6 1/2" WIDE X 6 3/4" DEEP X 4 3/8" HIGH
 (Excluding handle)

Motor control panel includes Power indication LED, REVERSE flow switch, SPEED regulation knob, BREAK switch and push button for PRIME function.

Pump head is designed for 1/8", 3/16", 1/4", and 5/16" inside diameter flexible tubing, 1/16" walls.

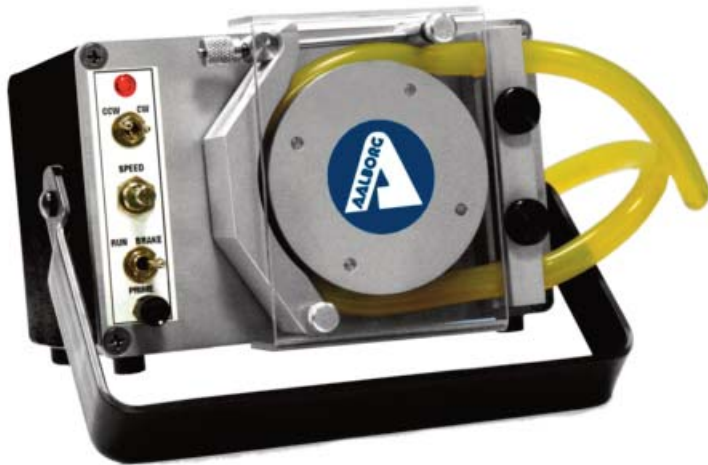
Recommended Tubing Materials: TYGON® 3603, Peroxide treated Silicone, Platinum treated Silicone, Pharmed®, NORPRENE®, HYPALON®.

Precision rollers are stainless steel.

Tubing occlusion is adjustable for increased pressure or longer tubing life.

TYPICAL FLOW RATES WITH TYGON LAB TUBINGS [mL/ min]						
INSIDE DIA"	4 ROLLERS PUMP HEAD RPM					
	3	10	20	30	40	50
1/8"	8	14	30	45	60	74
3/16"	17	38	69	99	130	160
1/4"	20	57	110	162	215	267
5/16"	32	82	160	230	303	377

*** The selection of materials of construction is the responsibility of the customer. The company accepts no liability.*



Dispenser Pump

Dispenser pumps are similar to Adjustable Speed models, except a programmable timer device is added to the controls. This permits dispensing over a selected time period by two different ways. A single volume of liquid is dispensed every time it is activated. Alternately, via a "D" connector at the rear of the pump, remote input dispensing functions are available.

Also available are auto-cycle Dispensing Pumps, with individually programmable ON cycle - OFF cycle timing, where single volumes of liquids are dispensed repeatedly.

Timers have seven ranges:	0.1-1 Seconds
	1-10 Seconds
	6-60 Seconds
	1-10 minutes
	6-60 minutes
	1-10 hours
	10-100 hours

TYPICAL FLOW RATES WITH TYGON LAB TUBINGS [ml/ min]						
INSIDE DIA"	4 ROLLERS PUMP HEAD RPM					
	3	10	20	30	40	50
1/8"	8	14	30	45	60	74
3/16"	17	38	69	99	130	160
1/4"	20	57	110	162	215	267
5/16"	32	82	160	230	303	377

MAXIMUM LIFT HEAD:	900" H ₂ O (34 psig).
MAXIMUM SUCTION HEAD:	275" H ₂ O (21" Hg vacuum).

design features

- ✓ Adjustable occlusion.
- ✓ Maintenance free brushless DC motors.
- ✓ Directionally reversible flow.
- ✓ Priming function.
- ✓ Four rollers are standard.
- ✓ Pumping speeds are electronically adjustable from 10 to 60 RPMs.

MODEL NO.	DESCRIPTION
TPUDP-NA	Dispensing Pump, with North American Power Cord
TPUDP-EU	Dispensing Pump, with European Power Cord
TPUDP-AU	Dispensing Pump, with Australian Power Cord
TPUDP-UK	Dispensing Pump, with United Kingdom Power Cord
TPURP-NA	Dispensing Pump Auto-Cycle with North American Power Cord
TPURP-EU	Dispensing Pump Auto-Cycle with European Power Cord
TPURP-AU	Dispensing Pump Auto-Cycle with Australian Power Cord
TPURP-UK	Dispensing Pump Auto-Cycle with United Kingdom Power Cord

SPECIFICATIONS

TUBING INSIDE DIAMETERS: 1/8", 3/16", 1/4" or 5/16".

TUBING WALL: 1/16".

RECOMMENDED TUBING MATERIALS:

PHARMED® VERSILIC® Silicone, TYGON® Sanitary, NORPRENE®, TYGON® Long Flex.

DIMENSIONS: 6 1/2" WIDE X 6 3/4" DEEP X 4 3/8" HIGH (Excluding handle)

**MATERIALS OF CONSTRUCTION

Anodized Aluminum, Stainless Steel Rollers and Shafts.

ORDERING INFORMATION FOR PUMP TUBING

MODEL NO.	DESCRIPTION
TB1LA2	Tubing Tygon® R-3603 Lab grade 1/8" ID X 1/16" wall, 50 feet
TB1LA3	Tubing Tygon® R-3603 Lab grade 3/16" ID X 1/16" wall, 50 feet
TB1LA4	Tubing Tygon® R-3603 Lab grade 1/4" ID X 1/16" wall, 2 x 25 feet coils (50 feet)
TB1LA5	Tubing Tygon® R-3603 Lab grade 5/16" ID X 1/16" wall, 50 feet
TB1LF2	Tubing Long Flex Life (LFL) 1/8" ID X 1/16" wall, 50 feet
TB1LF3	Tubing Long Flex Life (LFL) 3/16" ID X 1/16" wall, 50 feet
TB1LF4	Tubing Long Flex Life (LFL) 1/4" ID X 1/16" wall, 50 feet
TB1LF5	Tubing Long Flex Life (LFL) 5/16" ID X 1/16" wall, 50 feet
TB1N02	Tubing Norprene® Food Grade (FDA, 3A, NSF) 1/8" ID X 1/16" wall, 50 feet
TB1N03	Tubing Norprene® Food Grade (FDA, 3A, NSF) 3/16" ID X 1/16" wall, 50 feet
TB1N04	Tubing Norprene® Food Grade (FDA, 3A, NSF) 1/4" ID X 1/16" wall, 50 feet
TB1N05	Tubing Norprene® Food Grade (FDA, 3A, NSF) 5/16" ID X 1/16" wall, 50 feet
TB1NI2	Tubing Norprene® Industrial Grade (FDA, 3A, NSF) 1/8" ID X 1/16" wall, 50 feet
TB1NI3	Tubing Norprene® Industrial Grade (FDA, 3A, NSF) 3/16" ID X 1/16" wall, 50 feet
TB1NI4	Tubing Norprene® Industrial Grade (FDA, 3A, NSF) 1/4" ID X 1/16" wall, 50 feet
TB1NI5	Tubing Norprene® Industrial Grade (FDA, 3A, NSF) 5/16" ID X 1/16" wall, 50 feet
TB1PH2	Tubing PHARMED® 1/8" ID X 1/16" wall, 25 feet
TB1PH3	Tubing PHARMED® 3/16" ID X 1/16" wall, 25 feet
TB1PH4	Tubing PHARMED® 1/4" ID X 1/16" wall, 25 feet
TB1PH5	Tubing PHARMED® 5/16" ID X 1/16" wall, 25 feet
TB1SI2	Tubing Silicone (SPX-50), peroxide cured 1/8" ID X 1/16" wall, 50 feet
TB1SI3	Tubing Silicone (SPX-50), peroxide cured 3/16" ID X 1/16" wall, 50 feet
TB1SI4	Tubing Silicone (SPX-50), peroxide cured 1/4" ID X 1/16" wall, 50 feet
TB1SI5	Tubing Silicone (SPX-50), peroxide cured 5/16" ID X 1/16" wall, 50 feet
TB1SA2	Tubing Silicone (3350), sanitary 1/8" ID X 1/16" wall, 50 feet
TB1SA3	Tubing Silicone (3350), sanitary 3/16" ID X 1/16" wall, 50 feet
TB1SA4	Tubing Silicone (3350), sanitary 1/4" ID X 1/16" wall, 50 feet
TB1SA5	Tubing Silicone (3350), sanitary 5/16" ID X 1/16" wall, 50 feet
TB1TY2	Tubing Silicone (XL-60), Long Life Pump Tubing, Tygoprene™ 1/8" ID X 1/16" wall, 50 feet
TB1TY3	Tubing Silicone (XL-60), Long Life Pump Tubing, Tygoprene™ 3/16" ID X 1/16" wall, 50 feet
TB1TY4	Tubing Silicone (XL-60), Long Life Pump Tubing, Tygoprene™ 1/4" ID X 1/16" wall, 50 feet
TB1TY5	Tubing Silicone (XL-60), Long Life Pump Tubing, Tygoprene™ 5/16" ID X 1/16" wall, 50 feet
TB1FR2	Tubing Fluran® (F-5500-A), Severe Environment Tubing 1/8" ID X 1/16" wall, 50 feet
TB1FR3	Tubing Fluran® (F-5500-A), Severe Environment Tubing 3/16" ID X 1/16" wall, 50 feet
TB1FR4	Tubing Fluran® (F-5500-A), Severe Environment Tubing 1/4" ID X 1/16" wall, 50 feet
TB1FR5	Tubing Fluran® (F-5500-A), Severe Environment Tubing 5/16" ID X 1/16" wall, 50 feet
TB1FL2	Tubing Tygon® F4040-A Fuel and Lubricant Appl. 1/8" ID X 1/16" wall, 50 feet
TB1FL3	Tubing Tygon® F4040-A Fuel and Lubricant Appl. 3/16" ID X 1/16" wall, 50 feet
TB1FL4	Tubing Tygon® F4040-A Fuel and Lubricant Appl. 1/4" ID X 1/16" wall, 50 feet
TB1FL5	Tubing Tygon® F4040-A Fuel and Lubricant Appl. 5/16" ID X 1/16" wall, 50 feet